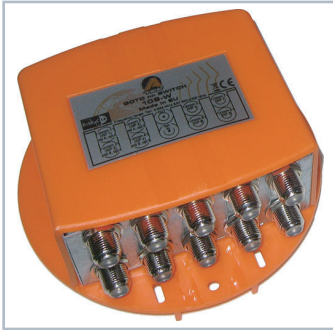
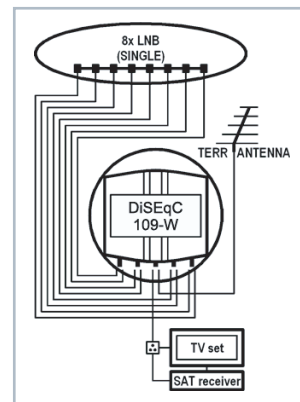


DiSEqC Switch 109-W



9in/1out switch designed for direct connection of up to 8 SAT IF inputs to one receiver. Inputs are selected by DiSEqC "Goto nn" (6B), or by DiSEqC 1.1 command. Additional input for terrestrial antenna allows to combine satellite and terrestrial signals into one cable. Weather-proof casing.

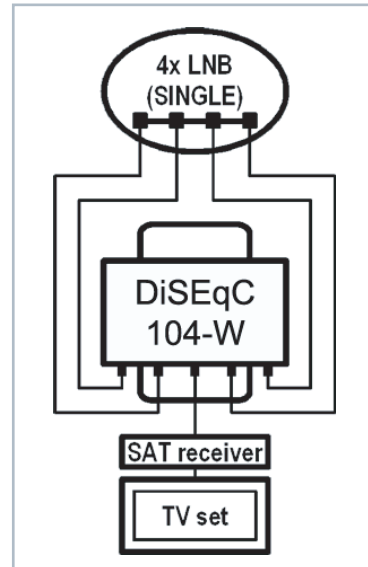
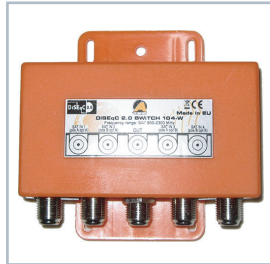
The unit is equipped with one of two software versions, V1 and V2. The difference between them lies in the way how DiSEqC 1.1 control is implemented. If You plan to use the switch in DiSEqC 1.1 mode, You must choose which version fits better to Your configuration. Please see "Receivers setting" section below for detailed information.



Technical Specifications

Number of Inputs		9
Number of Outputs		1
Frequency Range		950-2300 Mhz
Control		DiSEqC 1.0, 1.1, 1.2
Insertion Loss	3 dB avg. (5-862 MHz), 5 dB avg. (950-2300 MHz)	
Isolation between Inputs		30 dB avg.
Current Consumption		50 mA
LNB Power		400 mA max.
Dimensions (w,d,h [cm])		11.2 x 11.2 x 4.8
Temperature range		-30 °C - +70 °C

DiSEqC Switch 104-W



4in/1out DiSEqC 2.0 switch in weatherproof housing for connection of up to 4 satellite positions to one receiver. The inputs of the switch are controlled from a receiver by "Position" and "Option" commands and are through for 22 kHz and DiSEqC signals.

Technical Specifications

Number of Inputs	4
Number of Outputs	1
Frequency Range	950-2300 Mhz
Control	DiSEqC 1.0, 2.0, Position or Tone Burst, through for 22 kHz and DiSEqC commands
Insertion Loss	8 dB max.
Isolation of Inputs	25 dB min.
Current Dawn	35 mA
Dimensions (w,d,h [cm])	8.2 x 7.7 x 1.9
Temperature range	-30 °C - +70 °C

Dream Multimedia LLC

Showroom Tel: +971 4 2277448, Fax: +971 4 2243347, sales@dmm-tv.com
<http://www.dmm-tv.com>

Dubai - United Arab Emirates P.O.Box 87766, Deira , Naif , 25 ST - Baghlah Building showroom 10
 opposite Naif Bazar Center